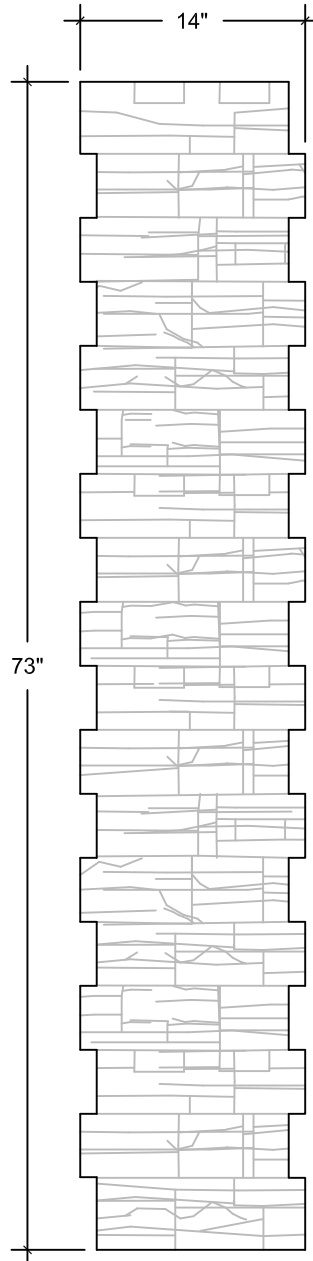


A



Part #
SCOC-731402Q
SCALE: 1" = 1'0"

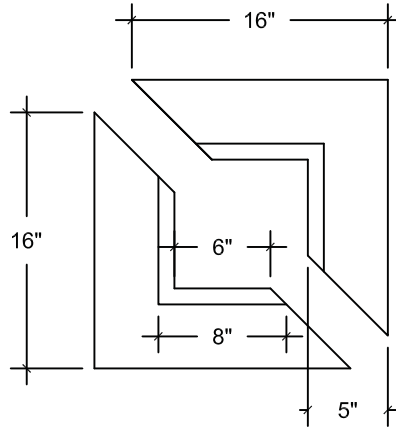
Stacked Stone
Columns

© Copyright 2008 OTB Architectural Elements

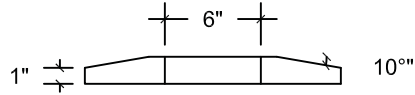
ResinKast[®]

PAGE
SC-1

A



Part #
SCOC-161602H
SCALE: 1 1/2" = 1'0"



B

C

**Stacked Stone
Columns**

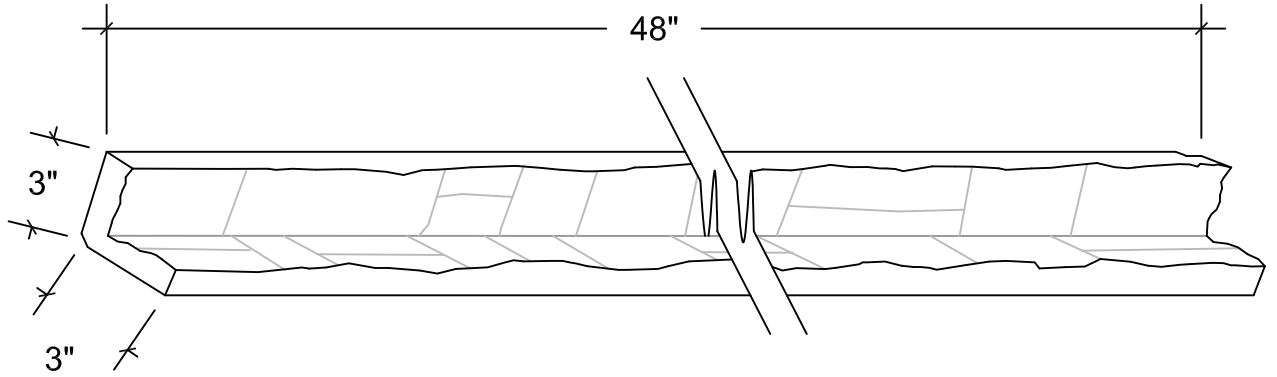
© Copyright 2008 OTB Architectural Elements

ResinKast[®]

PAGE
SC-2

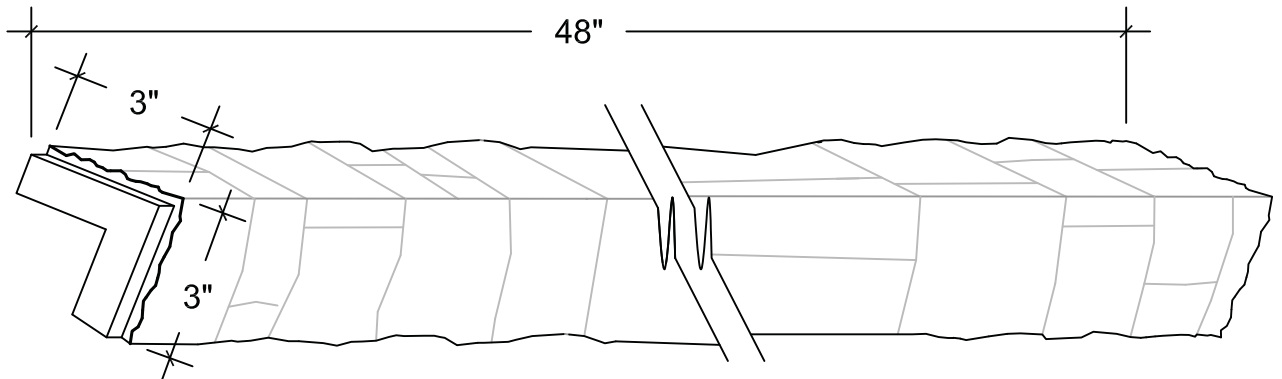
A

Part #
SMDI-0303480
SCALE: 1 1/2" = 1'0"



B

Part #
SMDO-0303481
SCALE: 1 1/2" = 1'0"



**Stacked Stone
Trim**

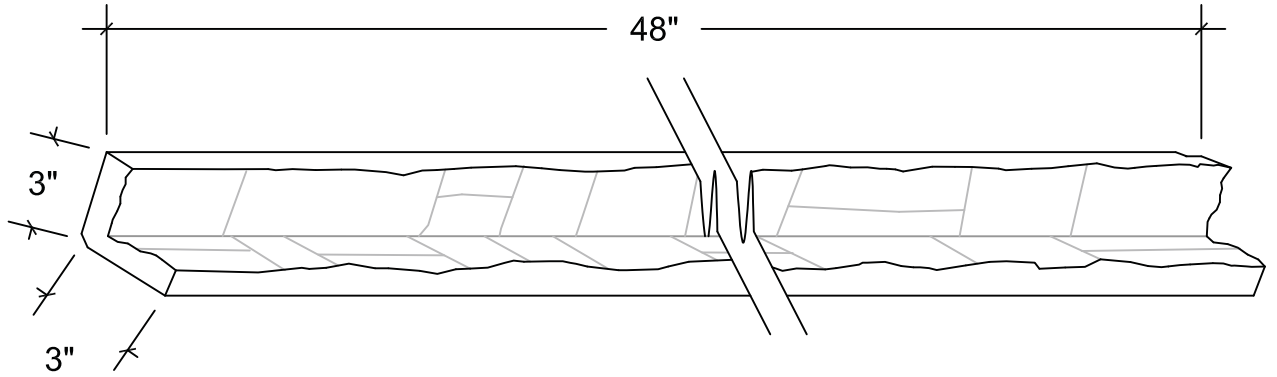
© Copyright 2008 OTB Architectural Elements

ResinKast[®]

PAGE
SM-1

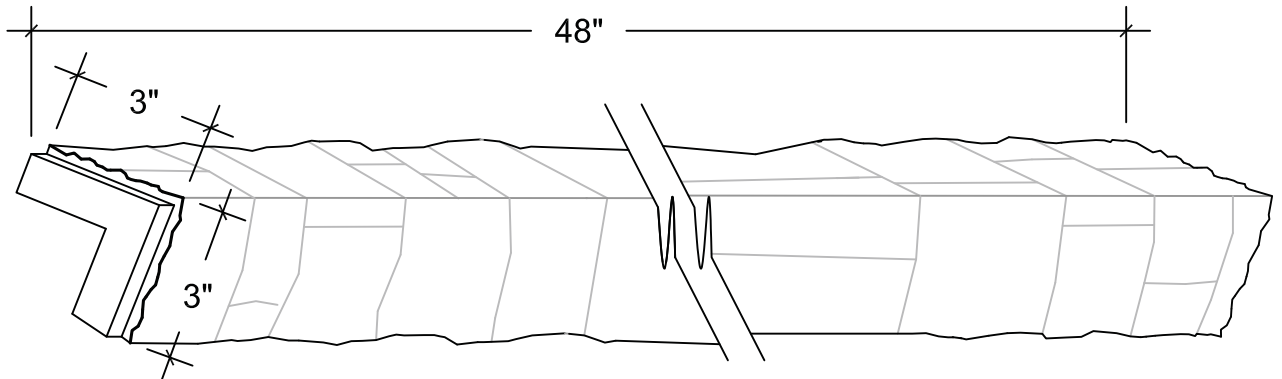
A

Part #
SMDI-0303482
SCALE: 1 1/2" = 1'0"



B

Part #
SMDO-0303483
SCALE: 1 1/2" = 1'0"



**Stacked Stone
Trim**

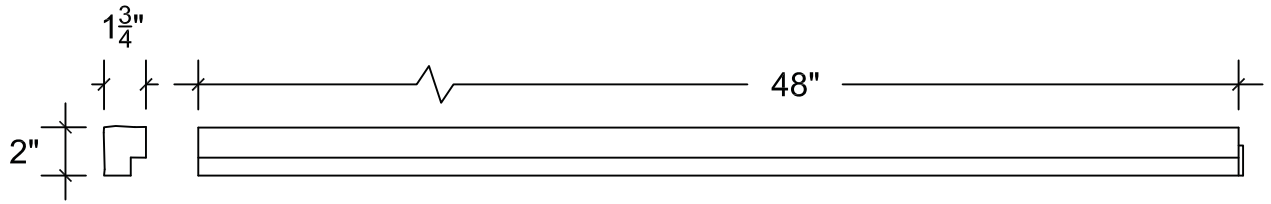
© Copyright 2008 OTB Architectural Elements

ResinKast[®]

PAGE
SM-2

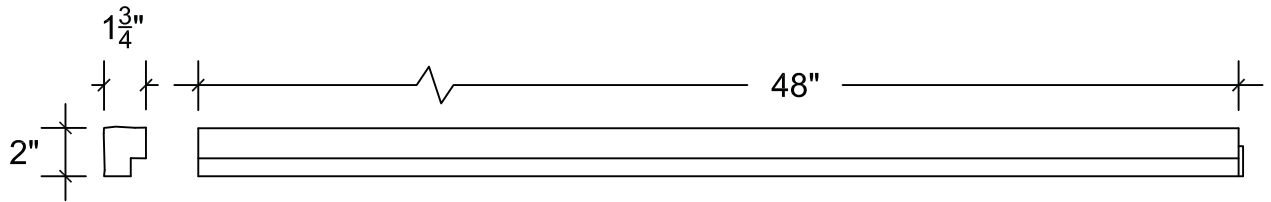
A

Part #
SMDT-0202480
SCALE: 1 1/2" = 1'0"



B

Part #
SMDT-0202481
SCALE: 1 1/2" = 1'0"



C

D

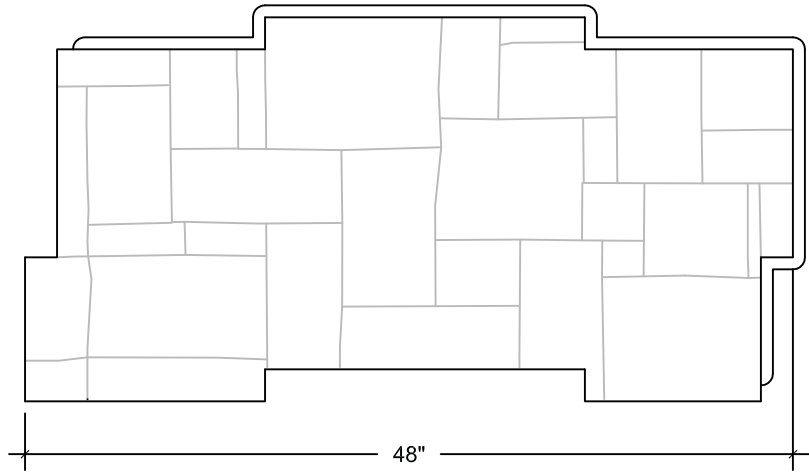
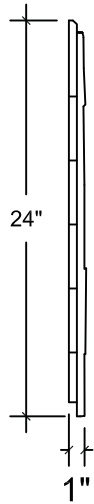
Stacked Stone
Trim

© Copyright 2008 OTB Architectural Elements

ResinKast[®]

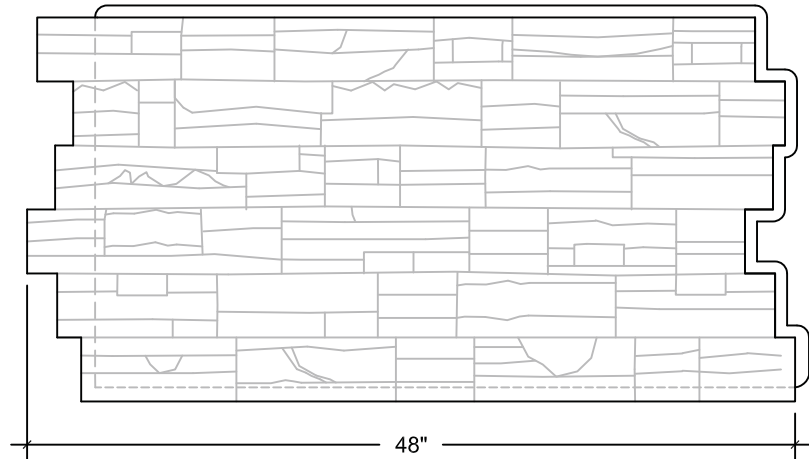
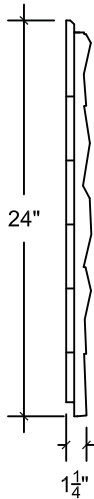
PAGE
SM-3

A



Part #
SPNA-2448000
SCALE: 1 1/2" = 1'0"

B



Part #
SPNC-2448000
SCALE: 1 1/2" = 1'0"

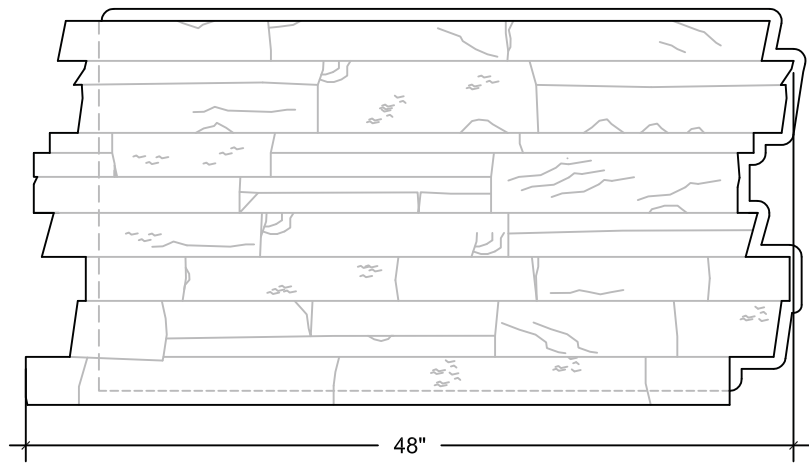
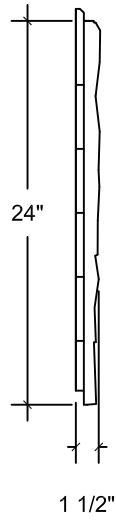
**Stacked Stone
Panels**

© Copyright 2008 OTB Architectural Elements

ResinKast[®]

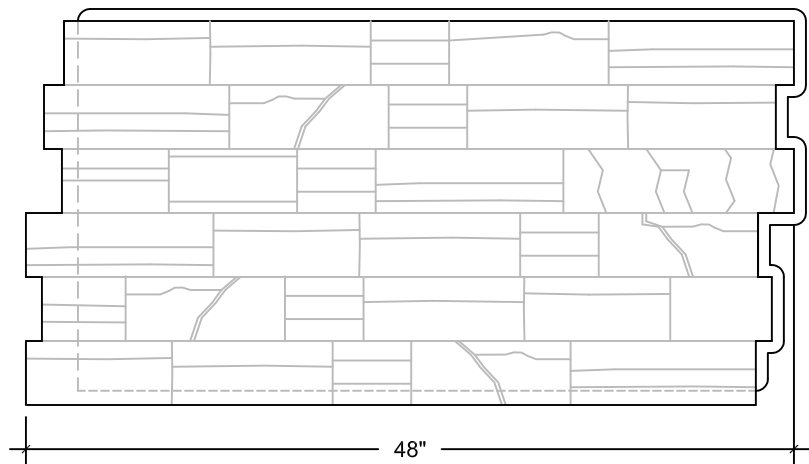
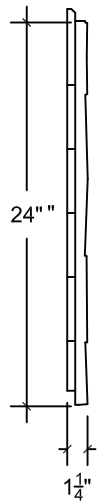
PAGE
SP-1

A



Part #
SPND-2448000
SCALE: 1 1/2" = 1'0"

B



Part #
SPNK-2448000
SCALE: 1 1/2" = 1'0"

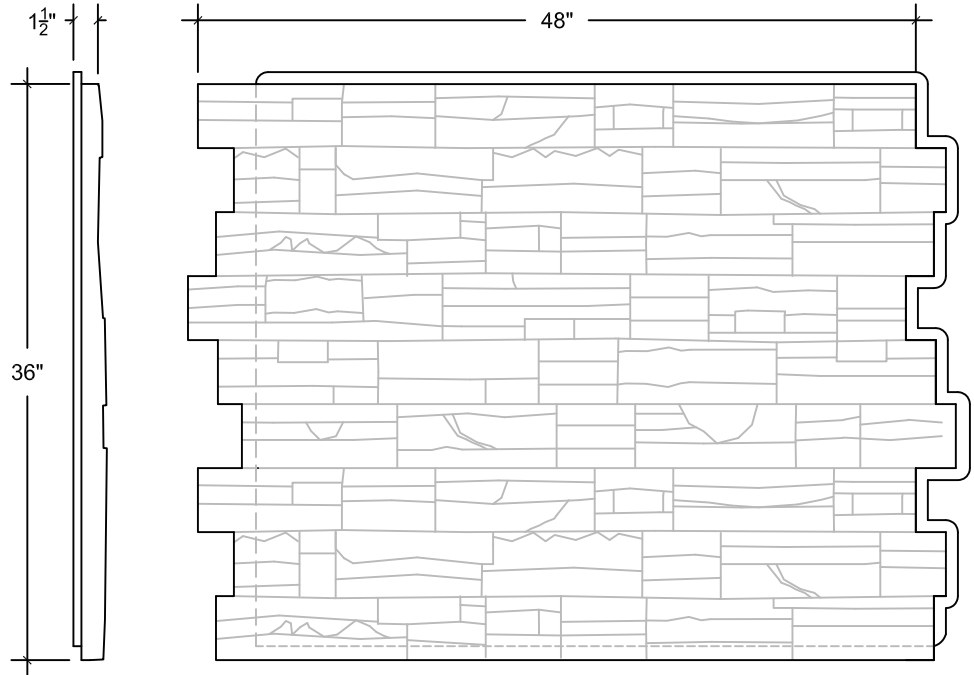
**Stacked Stone
Panels**

© Copyright 2008 OTB Architectural Elements

ResinKast[®]

PAGE
SP-2

A



Part #
SPNC-3648020
SCALE: 1 1/2" = 1'0"

B

**Stacked Stone
Panels**

© Copyright 2008 OTB Architectural Elements

ResinKast[®]

PAGE
SP-3